



**IVC**  
PUMPS PVT. LTD.



## **Close Loop Water Re-Circulation System**



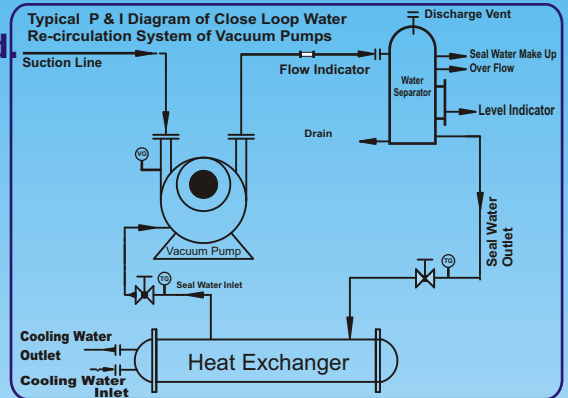
**IVC PUMPS PVT. LTD.**

# CLOSE LOOP WATER RE-CIRCULATION SYSTEM

The IVC full-recovery liquid ring vacuum pump systems offer total re circulation of the service liquid. In this system the service liquid is re circulated in close loop system through Heat exchanger , which removes heat of Compression.

IVC full-recovery liquid ring vacuum pump systems offer total re circulation of the service liquid. systems are available in capacities from 50-1500 M<sup>3</sup>/Hr. of vacuum pump and can be offered in a wide variety of materials for tough applications

IVC full recovery water sealed liquid ring vacuum pump systems recover and re-use close to 100% of the seal-water. Because of heat build-up, a heat exchanger needs to be used.



## PRODUCT FEATURES

- Available with either Single-stage or Two-stage Liquid ring Vacuum Pumps.
- Designed to be environmentally friendly and eliminate pollution.
- Reduced service liquid consumption.
- Complete package design includes all necessary components.
- Available in a wide choice of materials.
- Control valves and instrumentation are also available for fully automatic operation.
- Custom design according to customers specifications are a specialty.
- Electrical control panel, including skid wiring available as an option.
- All pumps include mechanical Shaft seals as standard practice.
- Available with either shell & tube or plate type heat exchanger for maximum heat transfer efficiency and minimum cooling water requirements.

## OTHER PRODUCTS



Single Stage Vacuum Pump  
Maximum Capacity : 1500 M<sup>3</sup>/hr.  
Maximum Vacuum : 710 mm of Hg



Two Stage Vacuum Pump  
Maximum Capacity : 1800 M<sup>3</sup>/hr.  
Maximum Vacuum : 720 mm of Hg



Mono-Block Vacuum Pump  
Maximum Capacity : 330 M<sup>3</sup>/hr.  
Maximum Vacuum : 710 mm of Hg



Oil Seal Vacuum Pump  
Maximum Capacity : 20000 LPM  
Maximum Vacuum : 0.005 mm of Hg

(AN ISO 9001-2008 COMPANY)



**IVC PUMPS PVT. LTD.**

Plot No. 255, Phase-I, Near Devi Masala,  
G.I.D.C. Estate, Naroda,  
Ahmedabad- 382330. Gujarat, India.  
Ph No. : +91 79 22807781 / 82  
Mobile : +91 99047 07781 / 85  
E-mail : [ivc@ivcvacuumumps.com](mailto:ivc@ivcvacuumumps.com)  
Web : [www.ivcvacuumumps.com](http://www.ivcvacuumumps.com)