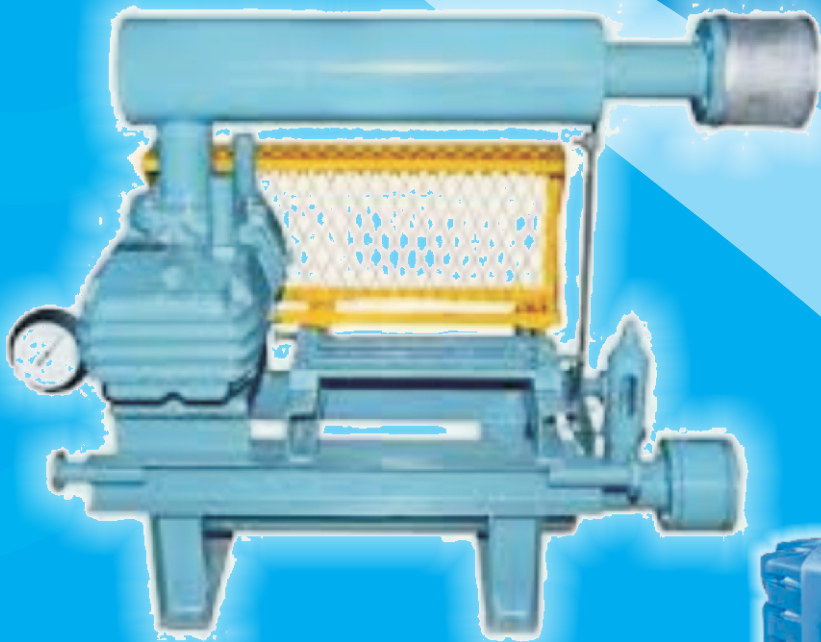




**IVC**  
PUMPS PVT. LTD.

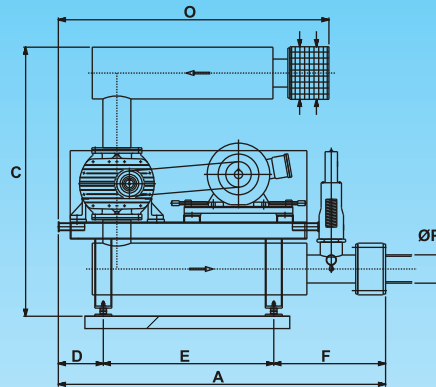
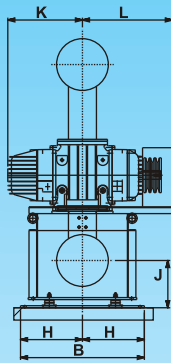


TWIN LOBE ROOTS BLOWER



**IVC PUMPS PVT. LTD.**

# AIR COOLED SERIES



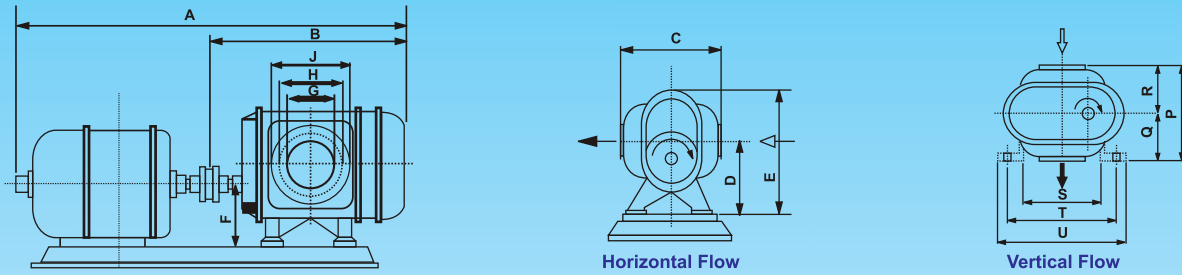
MODEL	A	B	C	D	E	F	H	J	K	L	O	P
IVBA -10	1350	490	865	120	780	450	245	185	260	330	1125	65
IVBA -12	1565	560	1020	132	950	483	280	170	297	360	1330	80
IVBA -14	1670	660	1115	150	950	570	330	225	310	390	1140	100
IVBA -16	2010	720	1295	180	1140	690	360	270	350	450	1760	125
IVBA -19	2010	720	1325	180	1140	690	360	280	395	490	1760	150
IVBA -22	2330	810	1510	220	1335	775	400	320	440	530	2050	175
IVBA -26	2695	930	1765	240	1545	910	440	380	495	550	2365	200
IVBA -30	2850	870	1840	145	1410	708	435	350	575	630	12532	200
IVBA -36	3415	1010	2100	155	1788	815	500	385	640	730	3135	250
IVBA -42	3835	1150	2440	160	1850	1085	575	445	715	785	3554	300
IVBA -50	5350	1360	3000	275	1800	2552	680	615	865	935	4125	350

### Standard Accessories

- 1) Suction Filter : Coarse (Grobe) Type, Size 30 mesh
- 2) Suction Silencer
- 3) Discharge Silencer
- 4) Safety Valve
- 5) Pressure Gauge
- 6) Non Return Valve
- 7) Base Frame
- 8) V Pulley for Machine
- 9) V Pulley for motor
- 10) V Belts
- 11) Belt Guard
- 12) Foundation bolts

MODEL	CAPACITY (m3/HR)	SPEED (INR.P.M.)	MAX POWER(H.P.)
IVBA-10	70-325	1196-4000	16
IVBA-12	95-525	965-3800	24
IVBA-14	145-725	965-3800	33
IVBA-16	201-955	850-3220	44
IVBA-19	310-1325	820-2900	57
IVBA-22	500-1830	765-2415	79
IVBA-26	775-2450	725-2035	107
IVBA-30	980-3630	570-1840	160
IVBA-36	1900-5650	600-1635	245
IVBA-42	3100-7500	600-1400	320
IVBA-50	4400-11000	510-1200	450

# WATER COOLED SERIES



## DIMENSIONS - MM

MODEL	In Let & Out Let	A	B	C	D	E	F	G	H	J	P	Q	R	S	T	U
IVBW-40	100	1200	650	360	190	345	140	100	170	210	360	180	180	320	400	440
IVBW-60	150	1720	865	400	250	458	185	150	225	265	400	200	200	410	510	590
IVBW-150	225	2150	1050	600	340	640	240	225	300	340	610	310	300	410	495	590
IVBW-300	300	2700	1425	800	450	830	310	300	395	440	800	400	400	500	620	735
IVBW-400	350	2900	1575	800	445	830	310	350	445	490	800	400	400	500	620	735

## PERFORMANCE DATA

MODEL	PRESSURE RPM	500 mbar		600 mbar		700 mbar		800 mbar		900 mbar		1000 mbar	
		M3/hr	Kw	M3/hr	Kw	M3/hr	Kw	M3/hr	KW	M3/HR	KW	M3/H R	KW
IVBW-40	1,450	-	-	126	4.8	124	5.6	122	6.3	120	7	118	7.8
	2,850	-	-	367	9.4	362	10.8	358	12.1	354	13.7	350	15.2
IVBW-60	1,450	-	-	580	15	570	17	560	19.4	555	21.6	550	23.8
	2,000	-	-	870	20	860	23	850	26.1	840	29	835	32
IVBW-150	980	-	-	1,270	30	1,250	34.	1230	39.5	1,220	44	1,210	48.5
	1,450	-	-	2,010	45	1,980	51.5	1,1960	58.2	1,940	64.9	1,920	71.6
IVBW-300	725	-	-	2,500	58	2,450	67	2,400	76	2,360	85	2,320	93.2
	980	-	-	3,570	80	3,520	91.8	3,480	103.7	3,440	115.6	3,410	126.8
IVBW-400	725	3,150	61	3,080	72.7	3,070	84	3,010	95.1	-	-	-	-
	980	4,500	84	4,460	98.8	4,400	115	4,350	129.8	-	-	-	-

## SPECIAL FEATURES

POSITIVE DISPLACEMENT MACHINES WITH CONSTANT VOLUME CHARACTERISTICS.

SOLID NOISE ABSORBING CONSTRUCTION IN GREY CAST IRON.

HIGH PRECISION HELICAL TIMING GEARS FOR RELIABILITY AND LONG LIFE.

SUITABLE FOR AIR, TOWN GAS, NITROGEN,

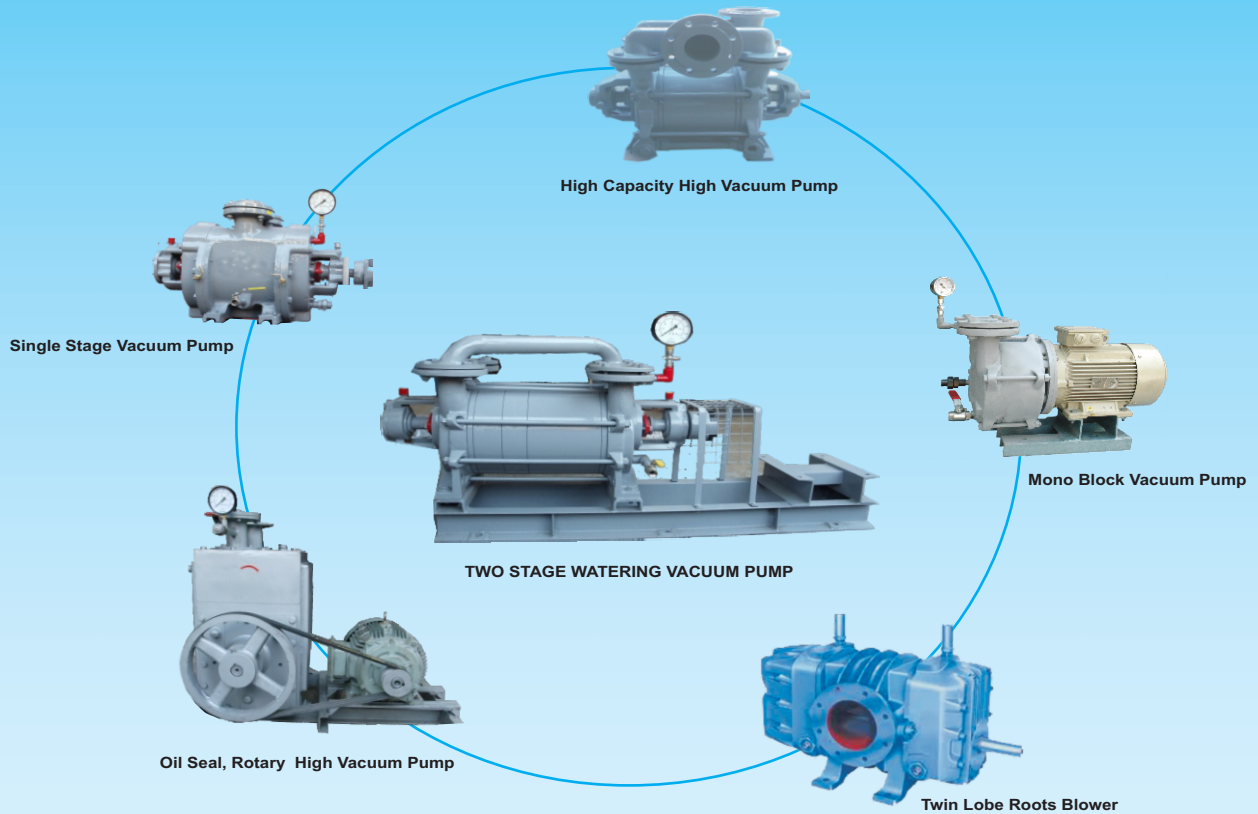
HYDROGEN, CARBONDIOXIDE, INERT GASES, NATURAL Gas, etc.

100% OIL FREE COMPRESSION.

ADJUSTABLE MACHINE FEET PERMIT HORIZONTAL (PR SERIES) & VERTICAL (PRK SERIES) FLOW OF Medium

DYNAMICALLY BALANCED ROTOR PAIR FOR VIBRATION FREE OPERATION.

BLOWERS CAN BE OFFERED IN DIRECT OR V-BELT DRIVE ARRANDEMENT.



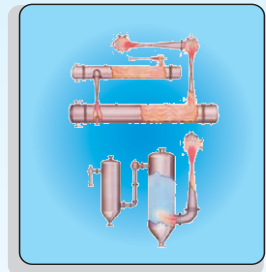
Close Loop Water Re-Circulation System



Mechanical Vacuum Booster System



Priming System



Steam Jet Ejector System



## IVC PUMPS PVT. LTD.

Plot No. 255, Phase-I, Near Devi Masala,  
G.I.D.C. Estate, Naroda,  
Ahmedabad- 382330. Gujarat, India.  
Ph No. : +91 79 22807781 / 82  
Mobile : +91 99047 07781 / 85  
E-mail : [ivc@ivcvacuum pumps.com](mailto:ivc@ivcvacuum pumps.com)  
Web : [www.ivcvacuum pumps.com](http://www.ivcvacuum pumps.com)