



IVC
PUMPS PVT. LTD.



Mono-Block (Close Coupled) Vacuum Pump



IVC PUMPS PVT. LTD.

MONO-BLOCK (CLOSE COUPLED) VACUUM PUMP

"IVC" Mono block(close coupled) liquid-Ring vacuum pumps are very Compact, Easy to install, Assemble with smooth Operation. These pumps are assembled directly to motor flange & shaft. The pump develop Maxmium vacuum of 700 to 710 mm of Hg. when sealing water Temperature of 30°C (barometric Pressure of 755 mm of Hg. and suction temperature 30 C)

APPLICATION

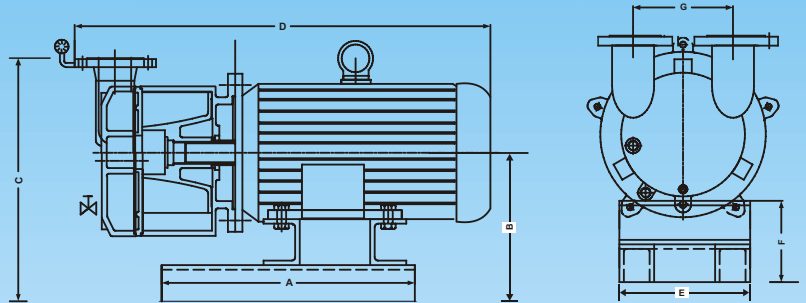
- ➔ Laboratory Usage
- ➔ Priming Purpose
- ➔ Pilot Plants
- ➔ Filtration Process
- ➔ Drying

SALIENTS FEATURES :

- ➔ Compct And Mobile
- ➔ Trouble Free Operation
- ➔ Easy to Mantainence
- ➔ Zero Leakage Due to Mechanical Seal

RANGE

- ➔ Capacity : 24 M³/hr. to 330 M³/hr.
- ➔ Vacuum : 710 mm of Hg.
- ➔ Power : 1 HP to 15 HP



MODEL	A	B	C	D	E	F	G
IVM-1	275	185	288	460	235	115	75
IVM-2	275	185	288	460	235	115	75
IVM-3	325	215	375	590	235	115	135
IVM-5	325	227	387	590	235	115	135
IVM-7	325	185	345	630	265	75	135
IVM-10	400	215	400	815	325	85	150
IVM-15	482	260	470	920	450	92	200

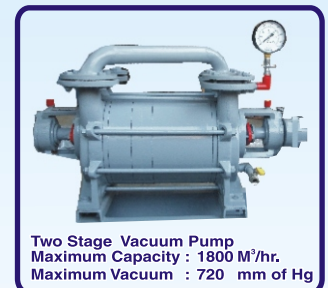
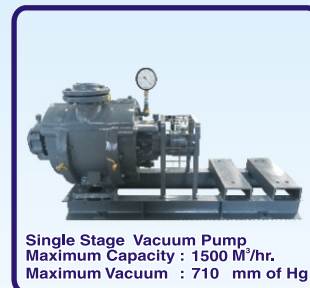
MATERIAL OF CONSTRUCTION

Cast Iron, SS 304, SS 316, Bronze, Gun Metal & As per process Requirement

DETAIL TECHNICAL SPECIFICATION

Pump Model	Max. Capacity (M ³ /hr)	Water Req'd. (LPM)	Rec.Motor HP/RPM
IVM-1	24	3	1/2850
IVM-2	30	5	2/2850
IVM-3	55	7	3/1450
IVM-5	90	9	5/1450
IVM-7	150	12	7.5/1450
IVM-10	220	15	10/1450
IVM-15	330	22	15/1450

OTHER PRODUCTS



(AN ISO 9001-2008 COMPANY)



IVC PUMPS PVT. LTD.

Plot No. 255, Phase-I, Near Devi Masala,
G.I.D.C. Estate, Naroda,
Ahmedabad- 382330. Gujarat, India.
Ph No. : +91 79 22807781 / 82
Mobile : +91 99047 07781 / 85
E-mail : ivc@ivcvacuum pumps.com
Web : www.ivcvacuum pumps.com

Smaller and larger capacity pump can offered on request.
We reserve the right to change the specifications without prior notice